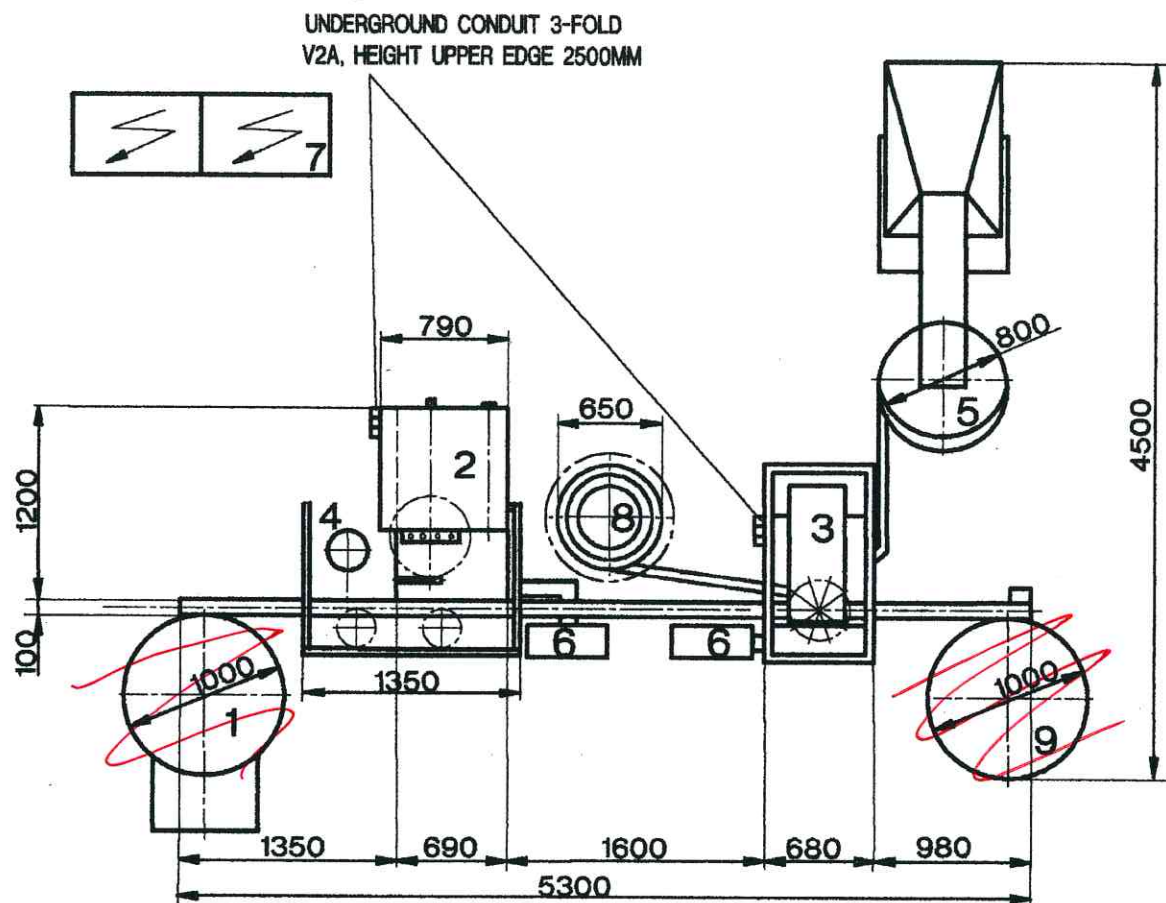


2.5 Machine drawing



working direction left-right

working height 900 ^{+/- 25} mm

subject to technical and dimensional modifications

all dimensions are approximative dimensions

- | | |
|----------------------------------|-------------------------|
| 1 input turning plate | 6 operating panel |
| 2 filling machine K 54-R | 7 control cabinet |
| 3 closing machine K 708-1 | 8 sorter brush |
| 4 ball station | 9 turn table |
| 5 disc sorter caps | |