

# FAT DIMENSIONAL CHECKS

11/6/12

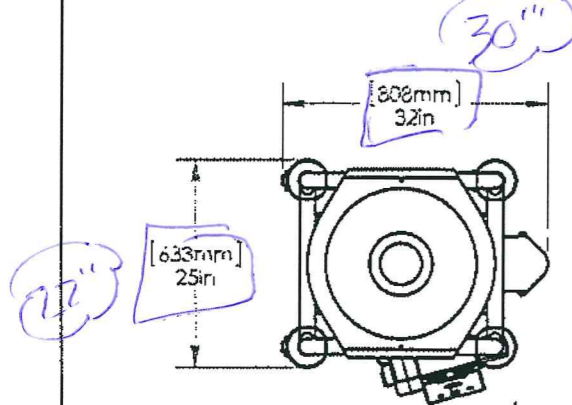
**ACKLEY MACHINE CORPORATION**  
 1273 North Church Street Fax: 856/234-8657  
 Moorestown, New Jersey 08057 Telephone: 856/234-3626

**FLOOR LAYOUT**  
 01295-00029 rev 03  
 DATE: 10 AUGUST 2012

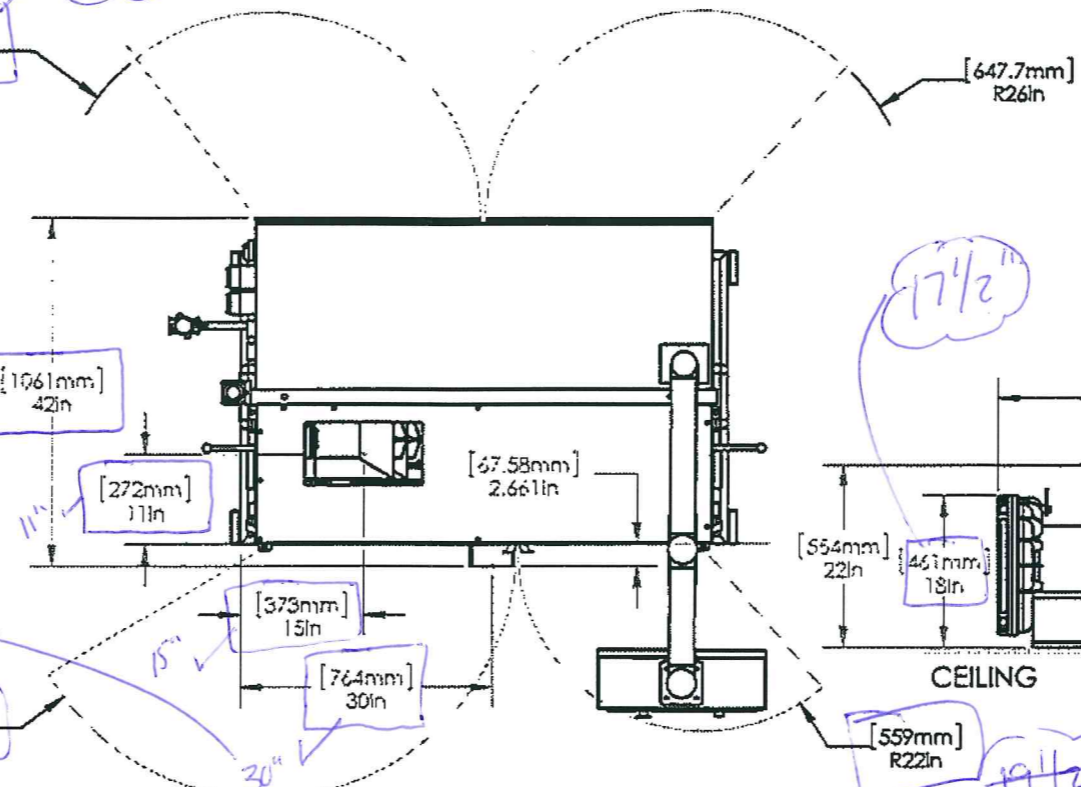
APPROVED *Jon SWP 2012.8.13*  
 APPROVED WITH COMMENTS \_\_\_\_\_

NOTE: THE ACKLEY FEEDER, SORTER AND PRINTER CAN ALL BE OPERATED INDEPENDENTLY, OR AS A COMPLETE SYSTEM.

2 Vacuum pumps not enclosed!



TO OUTSIDE LEGS



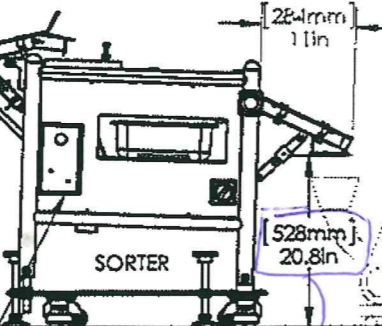
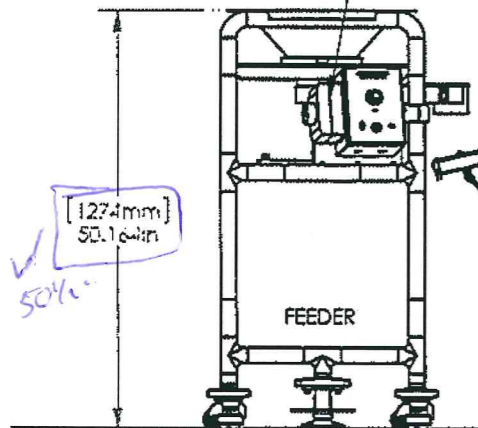
CEILING

VACUUM PUMPS POWER  
 380VAC/3 PH/50 HZ  
 10 AMP PER PUMP

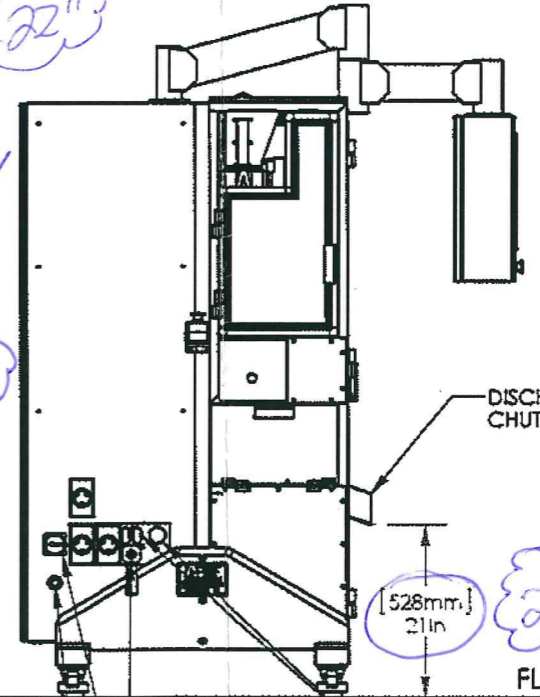
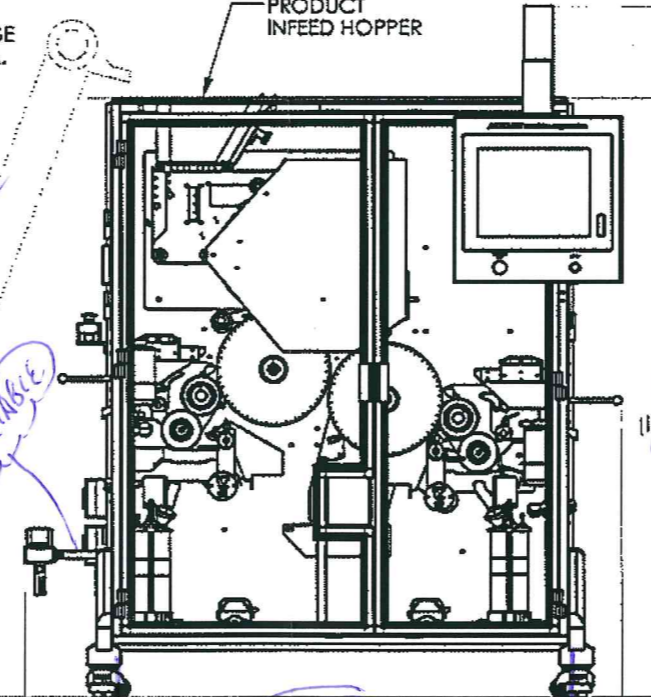
FEEDER POWER CONNECTION  
 220VAC / 50Hz / 1Ph / 3A

Ø 4.00 DISCHARGE CHUTE DIA.

PRODUCT INFEEED HOPPER



VARIABLE



20 1/2"

SORTER POWER CONNECTION  
 220VAC / 50Hz / 1Ph / 5A

CUSTOMER SUPPLIED TABLET ELEVATOR  
 NOTE: THE PRINTER INCLUDES DRY CONTACTS TO PROVIDE A STOP/START SIGNAL TO THE ELEVATOR BASED ON THE PRINTER HOPPER LEVEL SENSOR INPUT

MAIN POWER 380 VAC/50 HZ/3 PH/20A TO BE WIRED TO ACKLEY SUPPLIED TRANSFORMER LOCATED IN THE LOWER RIGHT SIDE OF THE ELECTRICAL ENCLOSURE

AIR INLET 100 psig @ 70 scfm  
 MAIN POWER DISCONNECT  
 (2) VACUUM INLETS

Adjustable ~22" MAX



FLOOR