

# 621DV/RA, 621DV/REA, 621DV/RE4A ATEX pumps

# Engineered Product 600 series

## FEATURES AND BENEFITS

Watson-Marlow Pumps

- Pump assembly rated to ATEX II 2G IIB c T4
- 620RA uses 3.2mm wall thickness continuous tubing, 620REA and 620RE4A use LoadSure tube elements
- One minute maintenance from patented LoadSure technology
- Pumphead rotor has two or four spring-loaded rollers that disengage for CIP/SIP.
- Pumpheads have shock proof tool-lockable guard.
- 0.25kW 6 pole 230/400V 3 phase 50Hz- "flameproof enclosure" – Exde IIC T4 with positive temperature coefficient (PTC) thermistors.
- Mechanical variable speed via manual control.
- Speed range 7 – 250rpm.
- For alternative build configurations and product codes contact Watson-Marlow Applications Department

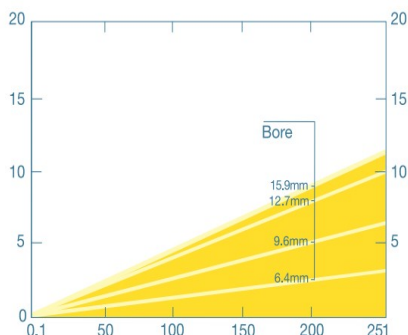


## PERFORMANCE

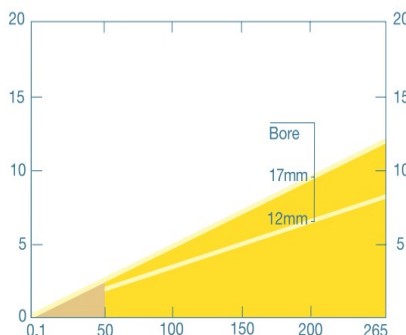
Tube bore and flow rates (Litres/min) at minimum and maximum speed

	Speed Range rpm	620R continuous tubing				620RE Loadsure		620RE4 Loadsure	
		6.4mm	9.6mm	12.7mm	15.9mm	12.0mm	17.0mm	12.0mm	17.0mm
Marprene, Bioprene TM	7-250					0.3-9.3	0.4-14.3	0.2-7.9	0.3-10.2
Marprene, Bioprene TL	7-250	0.1-3.3	0.2-6.2	0.3-10.0	0.3-11.2	0.3-9.3	0.5-16.3	0.2-7.9	0.3-12.2
Pumpsil Platinum Silicone, Neoprene, STA-PURE PCS	7-250	0.1-3.0	0.2-6.7	0.3-10.2	0.4-14.3	0.3-9.7	0.4-15.3	0.2-8.3	0.3-10.2
STA-PURE PFL	7-250	0.1-3.0	0.2-6.2	0.3-10.0	0.4-15.3	0.3-10.0	0.5-18.4	0.2-8.5	0.4-12.2

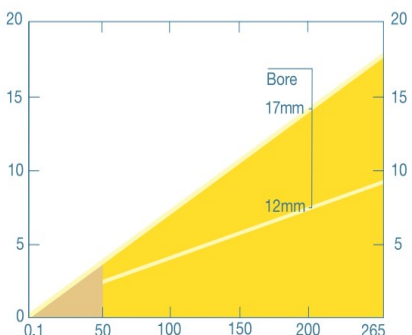
620RA performance graph



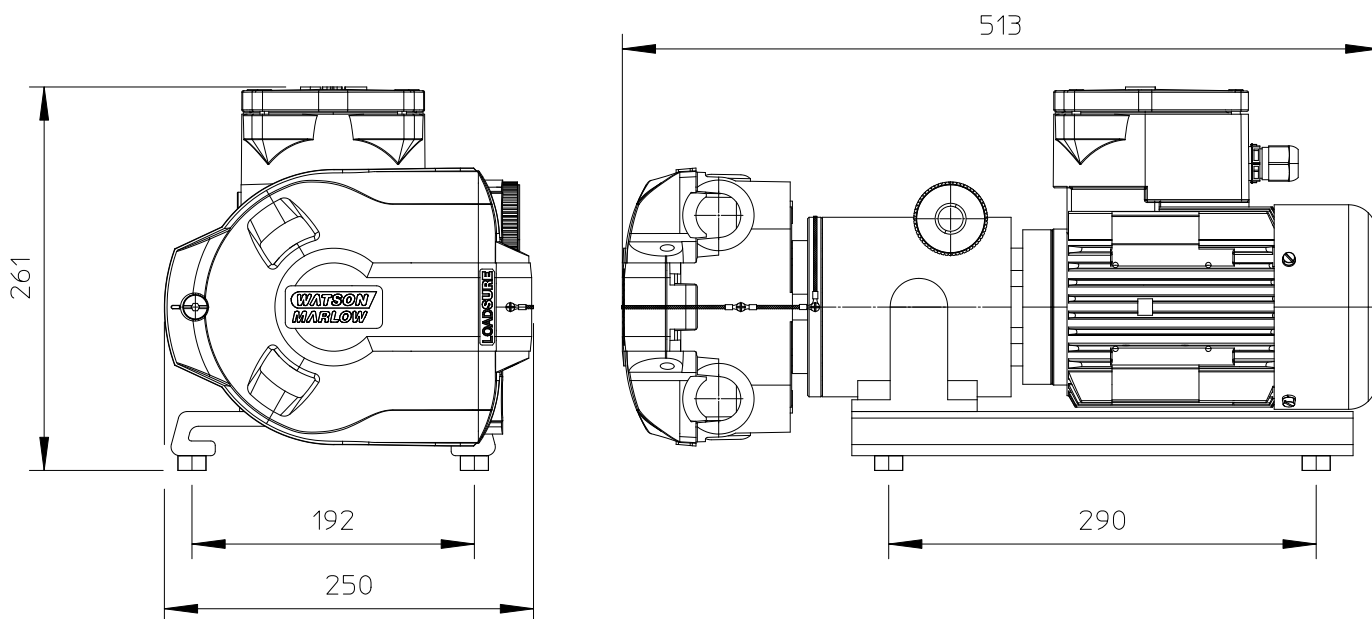
620REA performance graph



620RE4A performance graph



## DIMENSIONS



## SPECIFICATION

Environment Temperature	5°C to 40°C (40°F to 104°F)
Max Pressure	2 Bar with RA pumphead, 4 Bar with REA & RE4A pumpheads
Pump weight	41kgs
Noise	< 70dB(A) at 1m
Ingress Protection	IP55*
Standards	ATEX 94/9/EC
Supply	230/400V 50Hz 3 phase

\*IP66 also available – Please contact the Watson-Marlow Applications Engineering department.

## MATERIALS OF CONSTRUCTION

Component	Material
Pumphead track	Aluminium alloy – powder coated
Motor	Cast Iron
Gearbox	Cast Aluminium Alloy
Rotor hub, roller arms	Polyphenelene Sulphide (PPS)/10%Celstran SF50
Earth lead	Copper – tin plated
Main roller assembly	Stainless steel 303S31
Roller spindles, pins, thrust washer	Stainless steel 303S31
Follower rollers	MOS2 filled Nylon
Guard	Cast Aluminium Alloy
Guard Window	Lexan 1432
Guard seal	Closed-cell Neoprene
Tube clamps	Polypropylene

If flow rates shown were obtained pumping water at 20C (68F) with zero suction and delivery heads. Watson-Marlow, Bioprene and Marprene are trademarks of Watson-Marlow Limited. Disclaimer: The information contained in this document is believed to be correct but Watson-Marlow Limited accepts no liability for any errors it contains, and reserves the right to alter specifications without notice. LoadSure is a trademark of Watson-Marlow Limited. © Chem-Sure and © STA-PURE are registered trademarks of W.L. Gore & Associates Inc. Please state the product code when ordering pumps and tubing.



Watson-Marlow Fluid Technology Group  
 Applications Engineering Department  
 Falmouth, Cornwall England TR11 4RU  
 Tel: +44 (0)1326 370390  
 Applications@wmftg.co.uk  
 www.watson-marlow.com