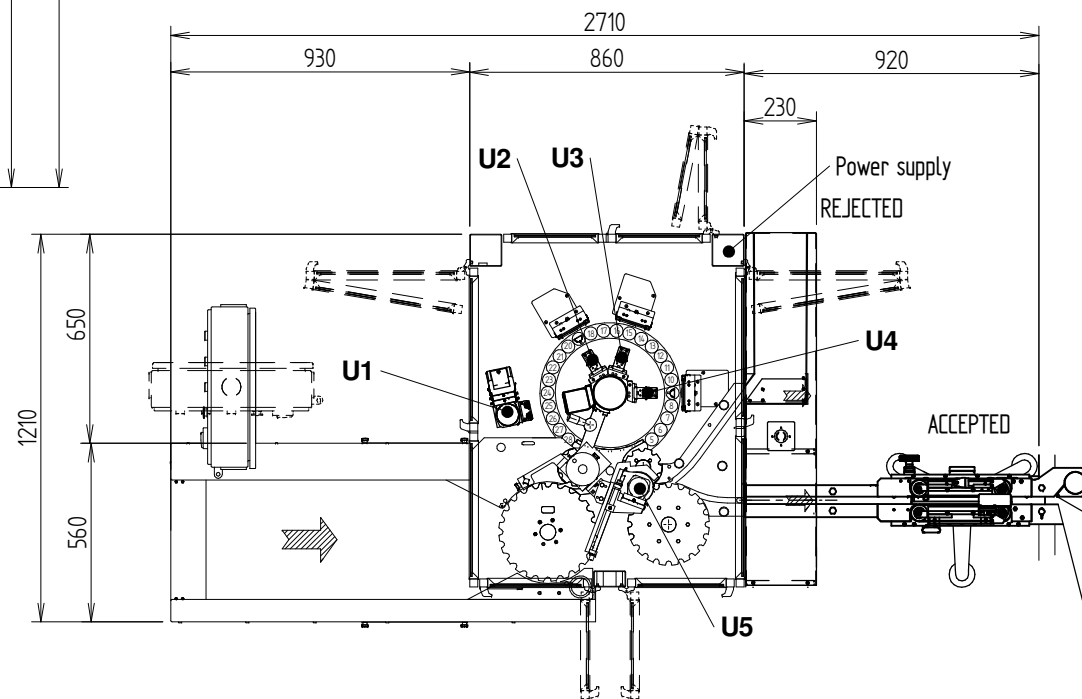


LIQUIDS CONFIGURATION (waterlike)		
U1	Dynamic tip insp. (burns)	Ampoules
	OPC presence insp.	
U2	Particles insp.	
	Particles insp.	
U3	Fill level insp.	
	Particles insp.	
U4	Static tip insp. (shape, lateral view)	Ampoules
	Colour ring insp.	



CUSTOMER		COUNTRY		INTERNAL ORDER	
		A30 INSPECTION MACHINE			
		General layout			
ALL RIGHT RESERVED Brevetti CEA s.p.a. Vicenza (Italy)	ISSUED Lanaro	DATE 05/2016	DRWG No A30-GEN-49	REV	

ALL SHOWN DIMENSIONS AND TECHNICAL DATA ARE NOT BINDING AND CAN BE MODIFIED WITHOUT NOTICE